

#### Applications

- Solar Trackers
- Wind Turbines
- Man Lifts
- Hydraulic Machinery
- Telescopic Handlers
- Digger Derricks
- Lifts
- Cranes
- Drilling equipment
- Military Equipment

#### Our Other products:

- Planetary Gearbox
- Helical Gearbox
- Worm Gearbox
- Slew ring bearing
- Crane duty gearbox
- Slew drive
- Combined bearings
- Torque multiplier



#### KAVITSU TRANSMISSIONS PVT. LTD.

UNIT 1: W-85, Addl. MIDC, Satara - 415 004. MAH.(India) Ph: +91- 02162 - 240803, 240804, 240808  
UNIT 2: J-12, Addl. MIDC, Satara - 415 004. MAH.(India) Ph: +91- 02162 - 240806, Mob: +91 - 9423862780

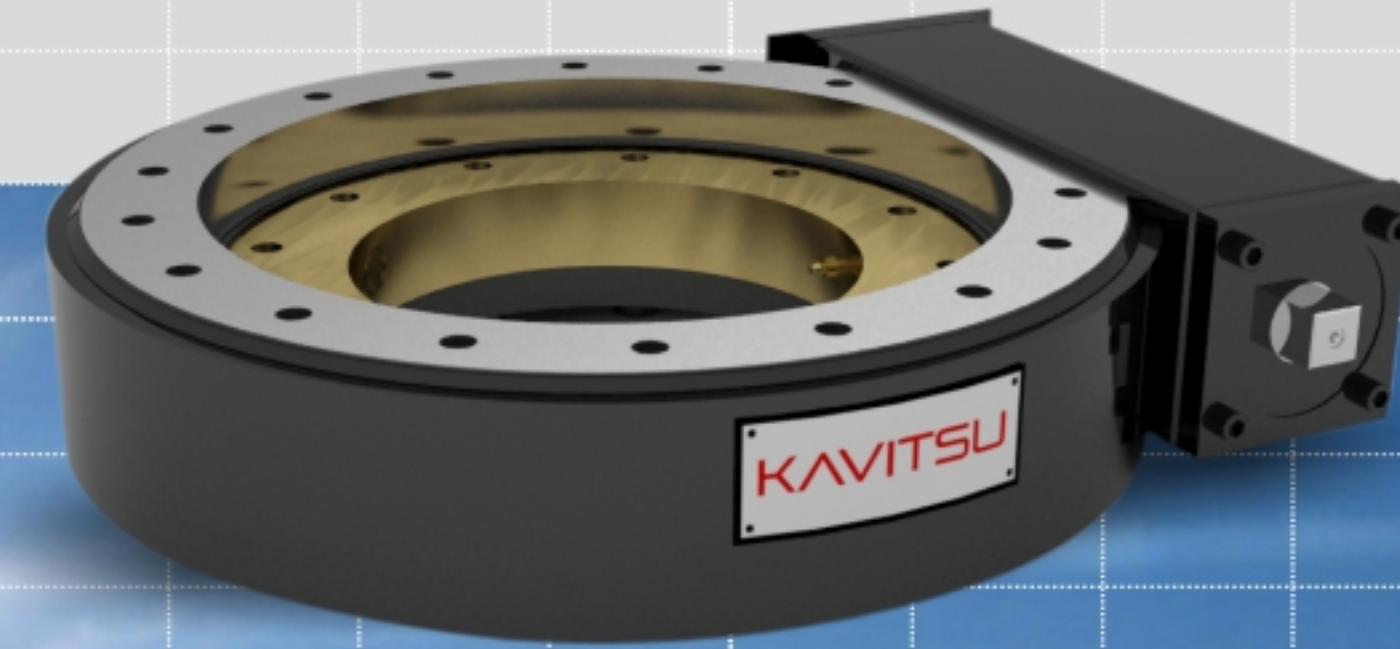
#### KAVITSU AUTOMATION

#### KAVITSU MACHINE-O-ELEKTRIK

#### KAVITSU ROBOTRONIX. PVT.LTD.

Fax: +91- 02162 - 240805 Web: [www.kavitsu.com](http://www.kavitsu.com)  
Email: [marketing@kavitsu.com](mailto:marketing@kavitsu.com) Web: [www.kavitsu.in](http://www.kavitsu.in)

PUNE OFFICE : Kedar Empire, Off.No.4,3 Floor,Near paud phata  
Flyover Bridge,Karve Road, Erandwane.PUNE 411 038.MAH.(India)  
Telephone : +91- 020 - 25450804 , 805, Telefax : +91-020 - 25450804, Mobile : +91-9890171185 , +91-942386008.



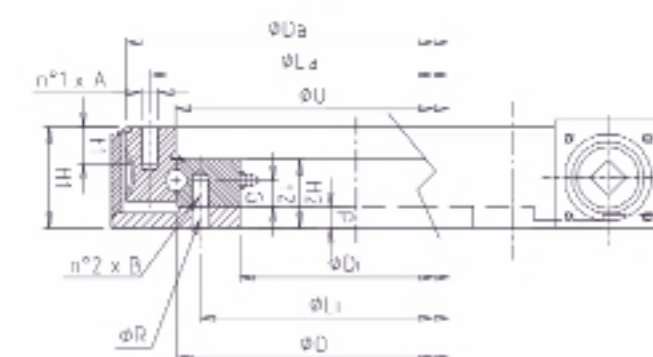
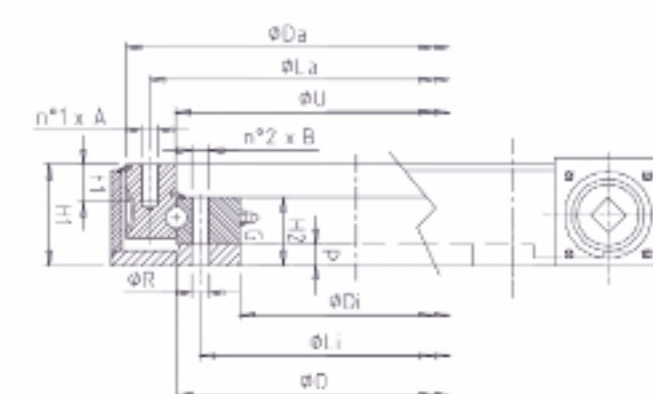
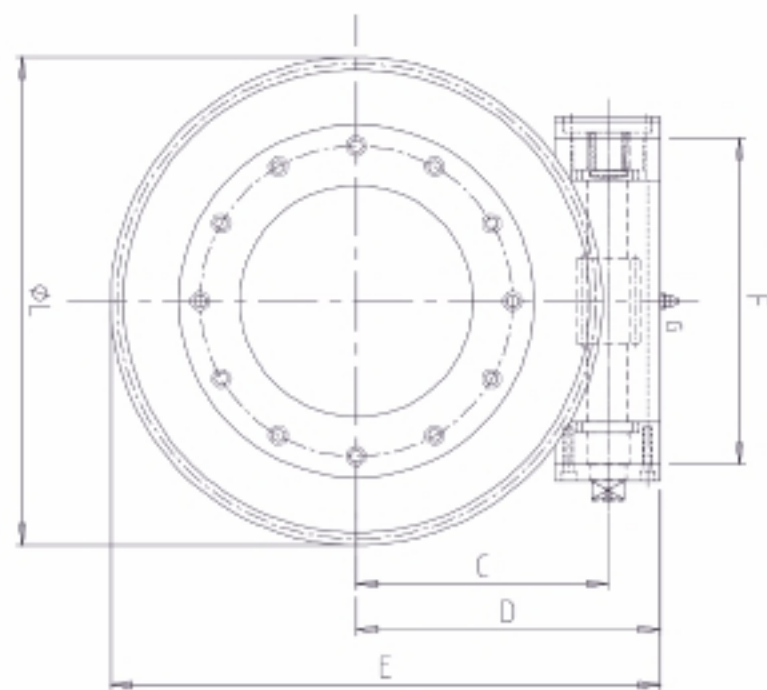
## KAVITSU Slew worm drives



*Compact and Efficient drives*



# SINGLE ROW SLEW WORM DRIVE CATALOG



Item Code No.	Outer Dia.	Inner Dia.	External Bolt Circle Dia.	Internal Bolt Circle Dia.	No. of Holes at Outer Ring	No. of Holes at Inner Ring	Bolt Hole Dia.	Bolt Hole Dia.	Thread Length	Thread Length	Hole Dia.	Thickness	Diameter	Diameter	Height	Height	Housing Dia.	Center Distance	Distance	Distance	Distance	Distance	Grease Nipples	Module	Gear Ratio	Number of Starts	Maximum Torque	LOAD RATING				Item Code No.
																												STATIC		DYNAMIC		
																												Co rad kN	Co ax kN	C Rad kN	C ax kN	

## Type-A

SD-114-20-0223-FF	325	145	270	175	16	15	M16	M16	30	-	18	10	221.5	224.5	82	57	356	175	244	422	277	100	3	5	62	1	8373	184	492	119	139	SD-114-20-0223-FF
SD-114-20-0340-FF	436.5	220	390	295	18	12	M16	M16	35	-	17	20	338.5	341.5	96	65	464	237.5	287.1	519.1	310	100	5	5	85	1	11615	304	815	141	165	SD-114-20-0340-FF
SD-114-22-0419-FF	535	324	479.5	365	20	20	M16	M16	30	-	18	10	417.5	420.5	82	57	566	280	349	632	324	100	5	5	104	1	14045	372	996	153	178	SD-114-22-0419-FF
SD-114-22-0526-FF	621.5	431.8	584.2	466.7	36	35	M20	M20	35	-	22	20	524	528	131.5	121.5	664	333.4	400.2	732.2	429.2	131	5	5	125	1	30500	640	1598	336	384	SD-114-22-0526-FF

## Type-B

SD-114-20-0156-FF	245	88	196	114	12	11	M12	M12	24	24	14	10	154.5	157.5	82	57	276	135	204	342	260	100	3	5	46	1	2952	85	228	75	87	SD-114-20-0156-FF
SD-114-22-0478-FF	580	380	520	420	32	31	M16	M16	30	30	18	15	476.5	479.5	110	73	617	305	375.5	684	380	110	5	6	93	1	21860	607	1627	226	264	SD-114-22-0478-FF
SD-114-22-0625-FF	749	525	675	565	24	24	M20	M20	40	40	22	20	623.5	626.5	130	80	792	392	462	858	440	130	5	7	104	1	38542	795	2128	252	294	SD-114-22-0625-FF

1 1 1 - 20 - 0414 - CF	1 1 1 - 20 - 0414 - CF	1 1 1 - 20 - 0414 - CF	1 1 1 - 20 - 0414 - CF	1 1 1 - 20 - 0414 - CF	1 1 1 - 20 - 0414 - CF	1 1 1 - 20 - 0414 - CF
1 - FOR BALL TYPE	1- FOR SINGLE TRACK	1 -FOR WITHOUT GEARING	BALL OR ROLLER DIAMETER	BALL OR ROLLER TRACK DIAMETER	OUTER RACE	INNER RACE
2- FOR ROLLER TYPE	2- FOR DOUBLE TRACK	2 -FOR EXTERNAL SPUR GEARING			C -FOR COLLER TYPE	C -FOR COLLER TYPE
	3 -FOR TRIPLE TRACKS	3 -FOR INTERNAL SPUR GEARING			F -FOR FLANGE TYPE	F -FOR FLANGE TYPE
SD-111-20-0414-FF	D-SLEW DRIVE	4-FOR EXTERNAL WORM GEARING				

### KAVITSU ROBOTRONIX PVT.LTD.

K-3/2/2,ADDL.M.I.D.C. SATARA.  
 PH:(02162)240812  
 Email:marketing\_krpl@kavitsu.com  
 SLEW RING BEARING